

Sunfab SL is a series of straight double pumps with extremely low noise levels for demanding mobile hydraulics.

Sunfab SL in SAE has a range of five different sizes, in which two models have differentiated flow. Pumps with differentiated flow increase the areas of use where they can provide three types of flow: a small, a large and a combined flow.

Max working pressure depending on model 4786-5076 psi.

Sunfab SL's slim pump housing enables direct installation on the power take off in very confined spaces. SL is also easy to install with frame mountings via an intermediate shaft.

DIN also available.

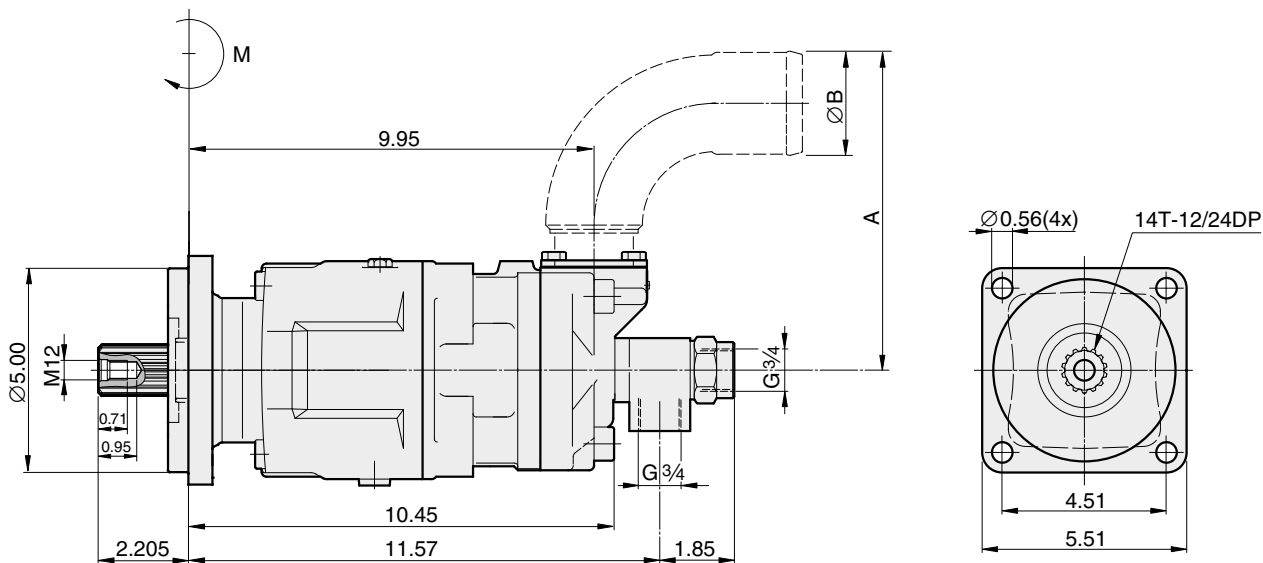
Sunfab SL's high level of reliability is based on the choice of materials, hardening methods, surface structures and the quality assured manufacturing process.

Other advantages of Sunfab SL

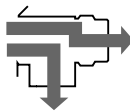
- A complete cost effective solution compared to a conventional installation with two pumps in one splitter gear box
- Large displacement allows low engine speed and low noise levels
- Smooth running over the entire speed register
- Long service life when tough demands are placed on the material choices such as bearings, seals etc.
- O-rings on all sealing surfaces plus double shaft seals eliminate oil leakage from both the pump and the power take off
- One year warranty
- Complete inventory and service in the USA

| Type SL | | 540/20 | 535/35 | 546/46 | 553/53 | 564/32 |
|----------------------------------|-------------|------------|-------------|-------------|-------------|-------------|
| Nominal oilflow at pumpspeed RPM | 500 | 5.28+2.64 | 4.62+4.62 | 6.08+6.08 | 7.00+7.00 | 8.45+4.23 |
| | 1000 | 10.57+5.28 | 9.25+9.25 | 12.15+12.15 | 14.00+14.00 | 16.91+8.45 |
| | 1500 | 15.85+7.92 | 13.87+13.87 | 18.23+18.23 | 21.00+21.00 | 25.36+12.68 |
| Displacement | cu in/rev. | 2.49+1.24 | 2.07+2.07 | 2.80+2.80 | 3.21+3.21 | 3.85+1.93 |
| Max. pump speed | RPM | 2200 | 2200 | 1800 | 1600 | 1600 |
| Max. working pressure | psi | 5076 | 4786 | 4786 | 4786 | 5076 |
| Weight | lb | 48.5 | 48.5 | 48.5 | 48.5 | 48.5 |
| Dimensions | in | | | | | |
| | A | 5.3 | 5.3 | 6.6 | 6.6 | 6.6 |
| | B | 2 | 2 | 2 1/2 | 2 1/2 | 2 1/2 |
| Tare-weight torque | lb-ft | M | 19.5 | 19.5 | 19.5 | 19.5 |
| Direction of rotation | Independent | | | | | |

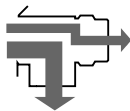
We reserve the right to make design modifications without prior notification



535/35, 546/46, 553/53



540/20, 564/32



Spline shaft:
SAE C

Mounting flange:
SAE C

Useful conversions:

1 in = 25.40 mm
 1 GPM = 3.79 l/min.
 1 cu in/rev. = 16.39 cm³/rev.
 1 psi = 0.00689 MPa
 1 psi = 0.07 bar
 1 lb = 0.45 kg
 1 lb-ft = 1.36 Nm