

All hydraulic systems must be equipped with a pressure relief valve.

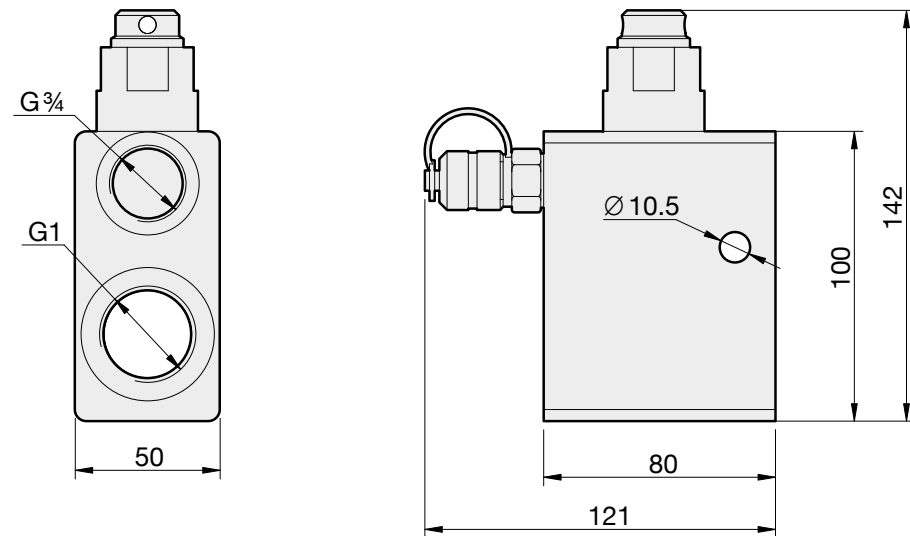
Sunfab in-line mounted pressure relief valve Prv 42 protects the pump and hydraulic system.

Sunfab Prv 42 is preset to 42 MPa and has the capacity for a flow of 150 l/min.

Sunfab Prv 42 is mounted close to the pump to protect against pressure surges. Assembly is simplified by the through pressure connection at the same time as the need for adapters and nipples is minimised.

Other advantages offered by Sunfab Prv 42:

- Pressure gauge socket facilitates adjustment and trouble shooting on the hydraulic system.
- Preset opening pressure can be adjusted with 13 MPa/rev.
- Compact design



Through pressure connection G1.

Tank connection G $\frac{3}{4}$ .

Test point type Minimes.

Weight 2.6 kg.