



Pump SVH 092, 112



Sunfab SVH is a variable axial piston pump for load sensing systems, designed for direct installation on the truck's power take off.

Sunfab SVH supports a maximum pressure of 5800 psi, and is available in the sizes 5.61 and 6.83 cu in/rev.

Sunfab SVH is intended for rigorous use on forestry cranes, general cargo cranes, suction vehicles, refuse collection vehicles, etc.

Sunfab SVH variable pumps uniquely feature a slim pump housing which permits direct mounting on the power take off. Of course, Sunfab SVH can also be mounted on a frame bracket via an intermediate shaft.

Available in both DIN and SAE.

Sunfab SVH is rotation-direction dependent and should be ordered in either right-hand or left-hand designs.

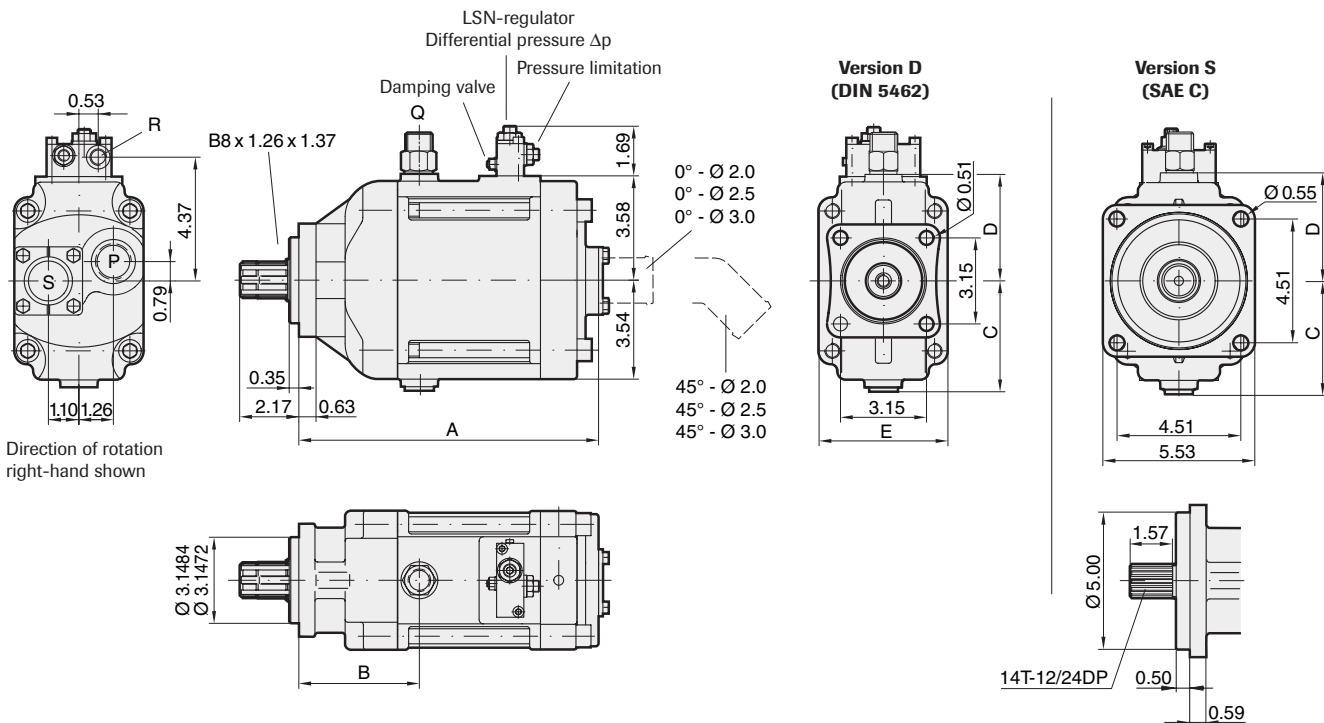
Recommended degree of filtration: 18/13 according to ISO 4406.

Other advantages of Sunfab SVH:

- Short reaction time when resetting the flow
- Compact installation dimensions
- High pressure
- Externally drained for best cooling
- One year warranty
- Complete inventory and service in the USA

| Typ SVH | | 092 | 112 | |
|--|--|------------|---------|-------|
| Nominal oil flow at max. setting angle and pump speed RPM | | GPM | | |
| | 500 | 12.15 | 14.79 | |
| | 1000 | 24.30 | 29.59 | |
| | 1500 | 36.46 | 44.38 | |
| Displacement | cu in/rev | 5.61 | 6.83 | |
| Max. pump speed | RPM | 2400 | 2200 | |
| Max. working pressure | | | | |
| | continuous | psi | 5075 | 5075 |
| intermittent | psi | 5800 | 5800 | |
| Differential pressure | Δp psi | 305-550 | 305-550 | |
| Weight | lb | 56.9 | 62.0 | |
| Tare-weight torque | lb-ft | 26.0 | 29.5 | |
| Dimensions | inch | | | |
| | DIN | A | 10.91 | 10.98 |
| | SAE | A | 10.75 | 10.83 |
| | DIN | B | 4.33 | 4.53 |
| | SAE | B | 4.19 | 4.41 |
| | | C | 4.13 | 4.21 |
| | | D | 3.94 | 4.02 |
| | E | 4.72 | 4.92 | |
| Suction connection | S | 2-3 | 2-3 | |
| Pressure connection | ISO G | P | 1 | 1 |
| Pump housing drainage | ISO G | Q | 1/2 | 1/2 |
| Signal connection | ISO G | R | 1/4 | 1/4 |
| Max. torque | lb-ft | 391 | 443 | |
| Direction of rotation | supplied in right or left-hand designs | | | |

We reserve the right to make design modifications without prior notification



3107US0612 Produced in Sweden by Bonavia Innovations AB / Globe Offset