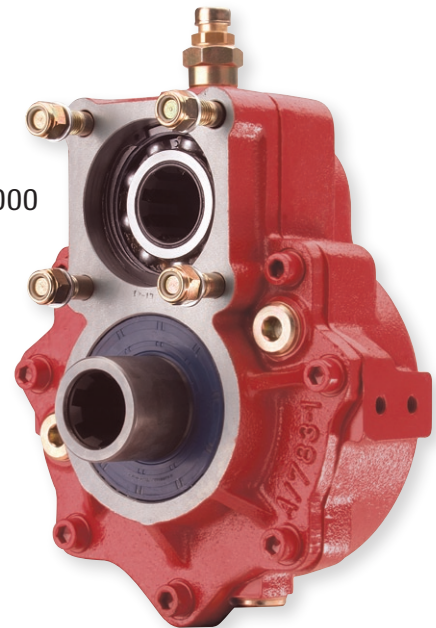


55172



61000



TRACPOWER increases the speed of the tractor's power take off 2.5 times, which gives better conditions for hydraulic operation.

TRACPOWER is the solution when the tractor's original hydraulics do not give sufficiently large flow and pressure.

TRACPOWER is a gearbox that is mounted straight onto the power take off shaft.

TRACPOWER gives 2.5 times greater speed ratio.

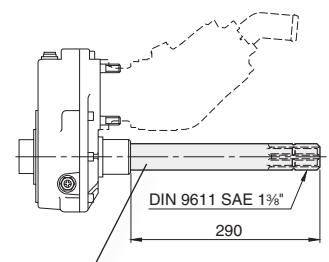
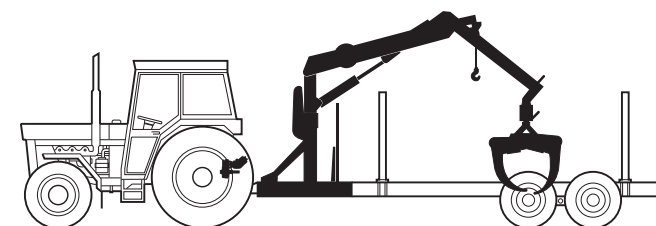
TRACPOWER is suitable for all tractors with 540 rpm power take off shaft, dimension 1 3/8", SAE J1170.

#### Other advantages of TRACPOWER

- Suitable for all Sunfab pumps with DIN flange
- Can be turned

#### TRACPOWER extra equipment

Extension shaft for simultaneous driving of e.g. a forestry wagon



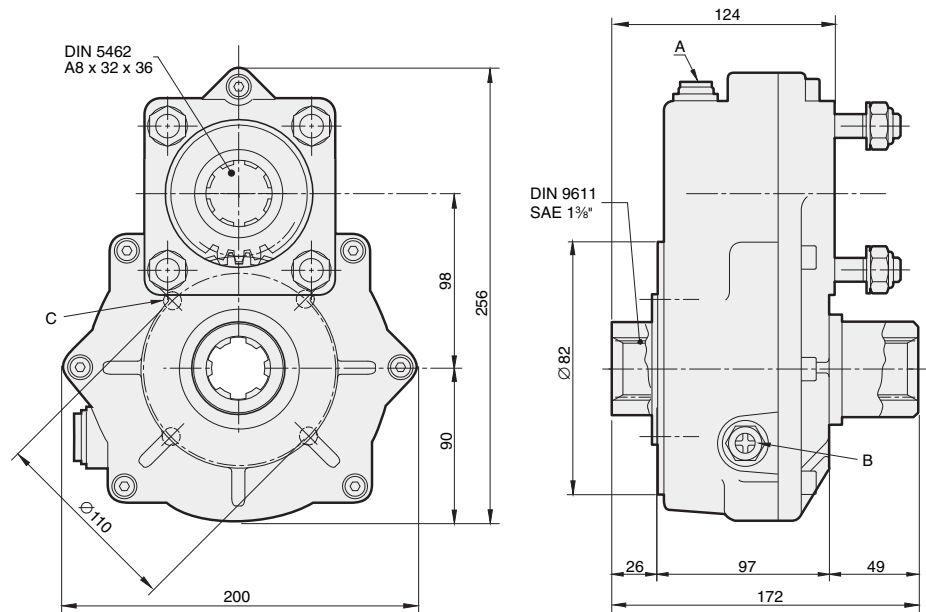
17814

Type		55172	61000
Continuous torque, input	Nm	800	800
Intermittent torque, output	Nm	320	420
Power at 1000 rpm, input	kW	82	82
Power at 1000 rpm, output	kW	33	34
Weight	kg	13.7	19
Installation position		Rear	Rear
Direction of rotation in/out		Opposite	Opposite
Gear ratio engine/power take off		1:2.5	1:2.5

Subject to design alteration

### Type 55172

- A Oil filler plug
  - B Level sight glass
  - C Mounting hole M10x1,5
- Oil capacity 0.25 l gearbox oil SAE 80/90



### Type 61000

- A Filler, level and drain plug
  - B Ventilation oil
  - C Mounting hole M10x1,5
- Oil capacity 0.25 l gearbox oil SAE 80/90

